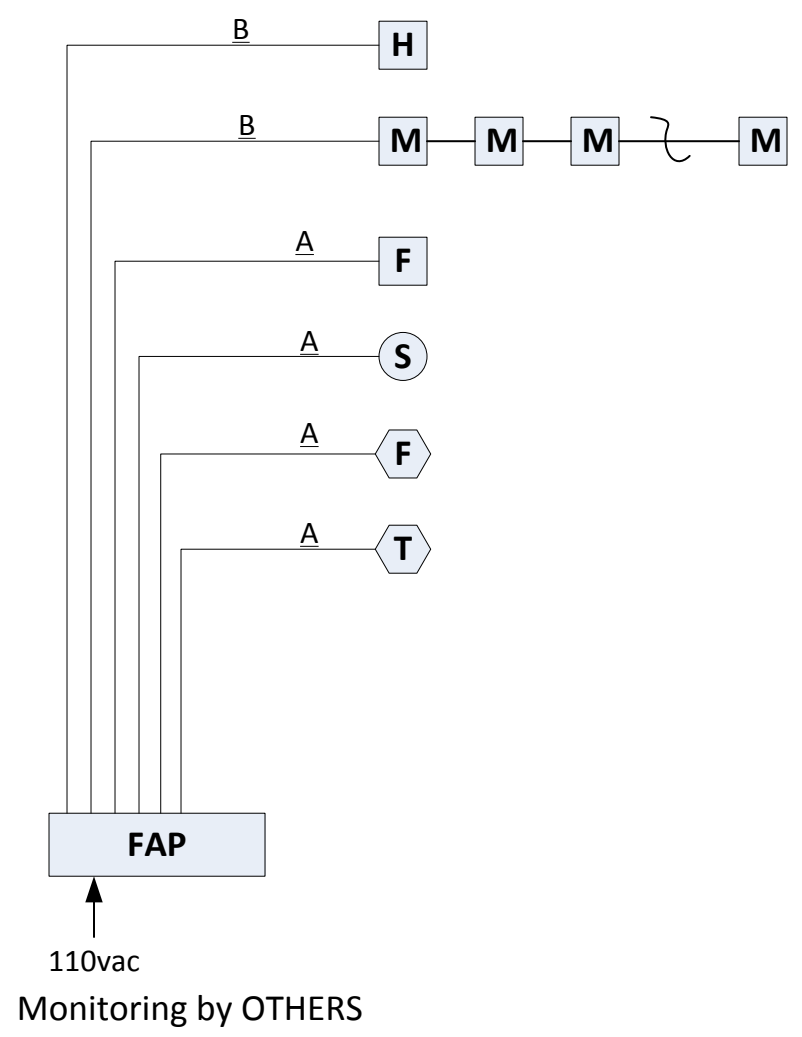


- M** Mini-Horn (mount at 90" AFF)
- H** Horn-Strobe
- S** Strobe Only
- F** Pull Station
- S** Smoke Detector
- H** Heat Detector
- MM** Input Module
- RM** Relay Module
- DD** Duct Detector
- F** Flow Switch
- T** Valve Tamper
- LA** Hi/Low Air
- FAP** Fire Alarm Panel
- NAC** Signal Power Supply



- Zone 1 Water Flow
- Zone 2 Valve Supervisory
- Zone 3 FAP Manual Pull
- Zone 4 FAP Smoke Detector

ZONE LIST

SYMBOL LEGEND

- A #18/2 FPLR
- B #16/2 FPLR

WIRE TYPES USED

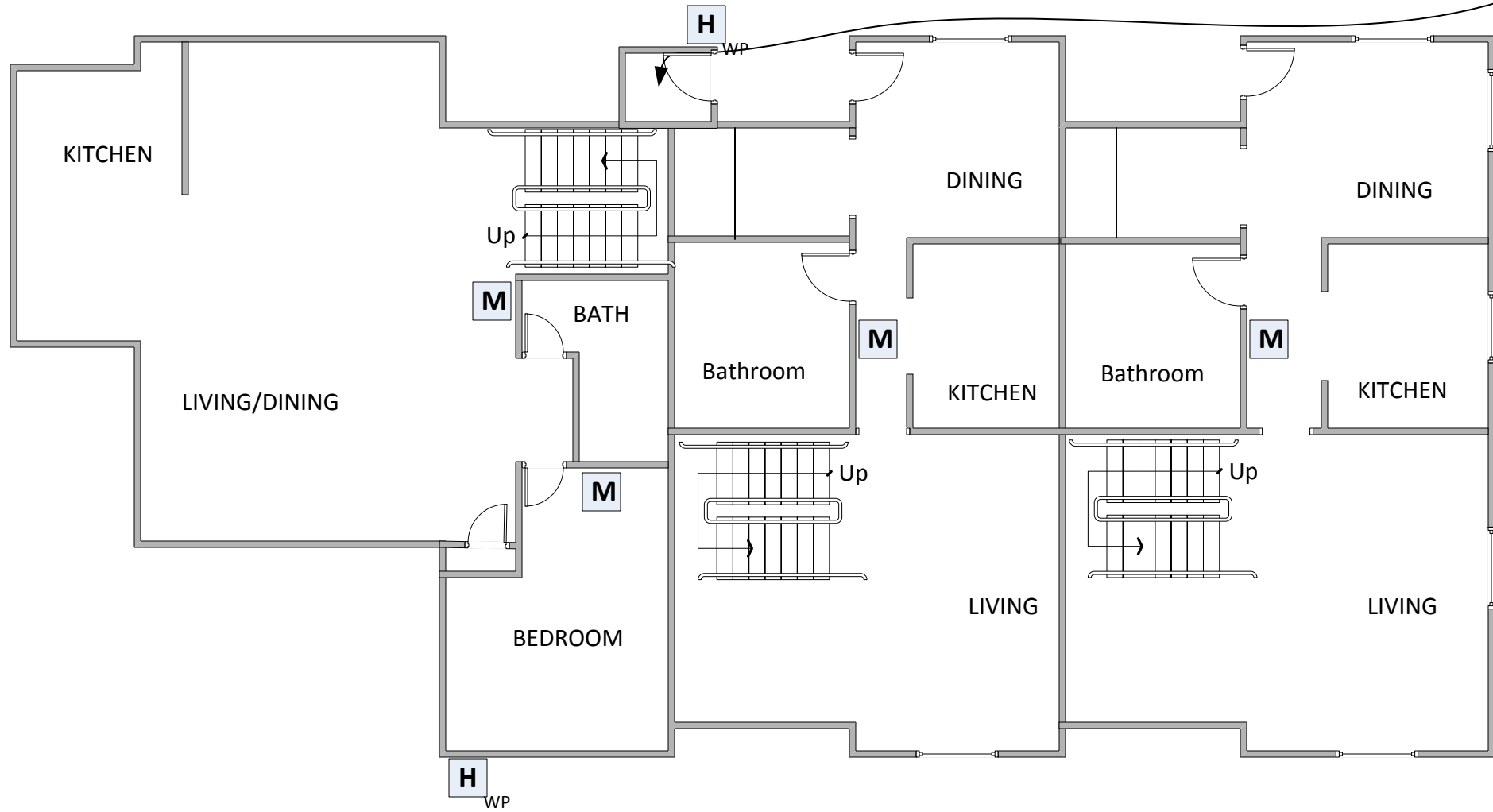
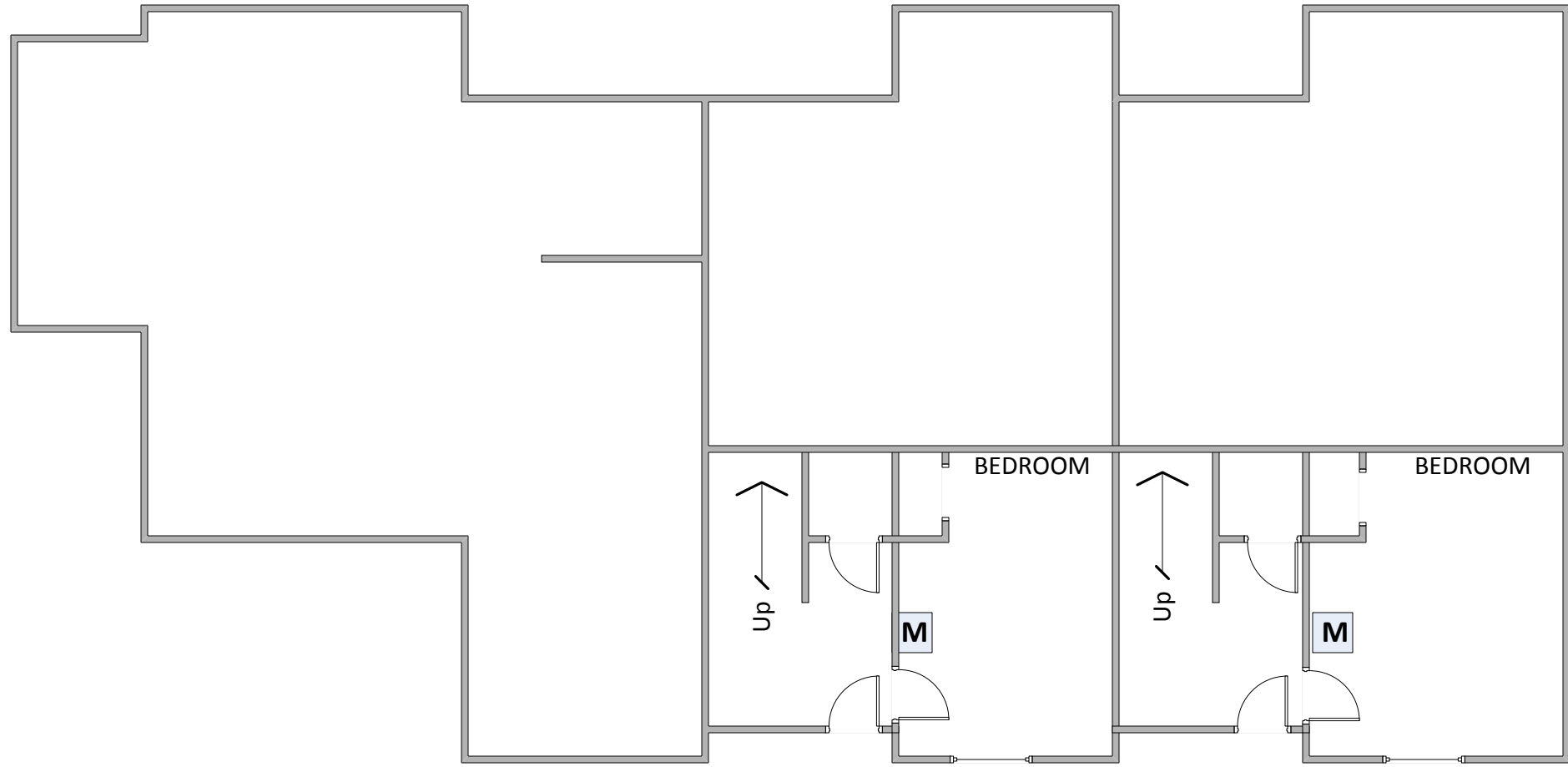
ITEM	QTY.	PART NO.	DESCRIPTION
M	41	MHW	MINI_HORN
H	6	P2RK	OUTDOOR HORN-STROBE 75CD
F	41	MHW	MANUAL PULL STATION
S	3	2WB	SMOKE DETECTOR
F	3	-	FLOW SWITCH BY OTHERS
T	3	-	VALVE SUPERVISORY BY OTHERS
FAP	3	SK-5208	FIRE ALARM CONTROL

PARTS LIST – BUILDINGS B, C, D

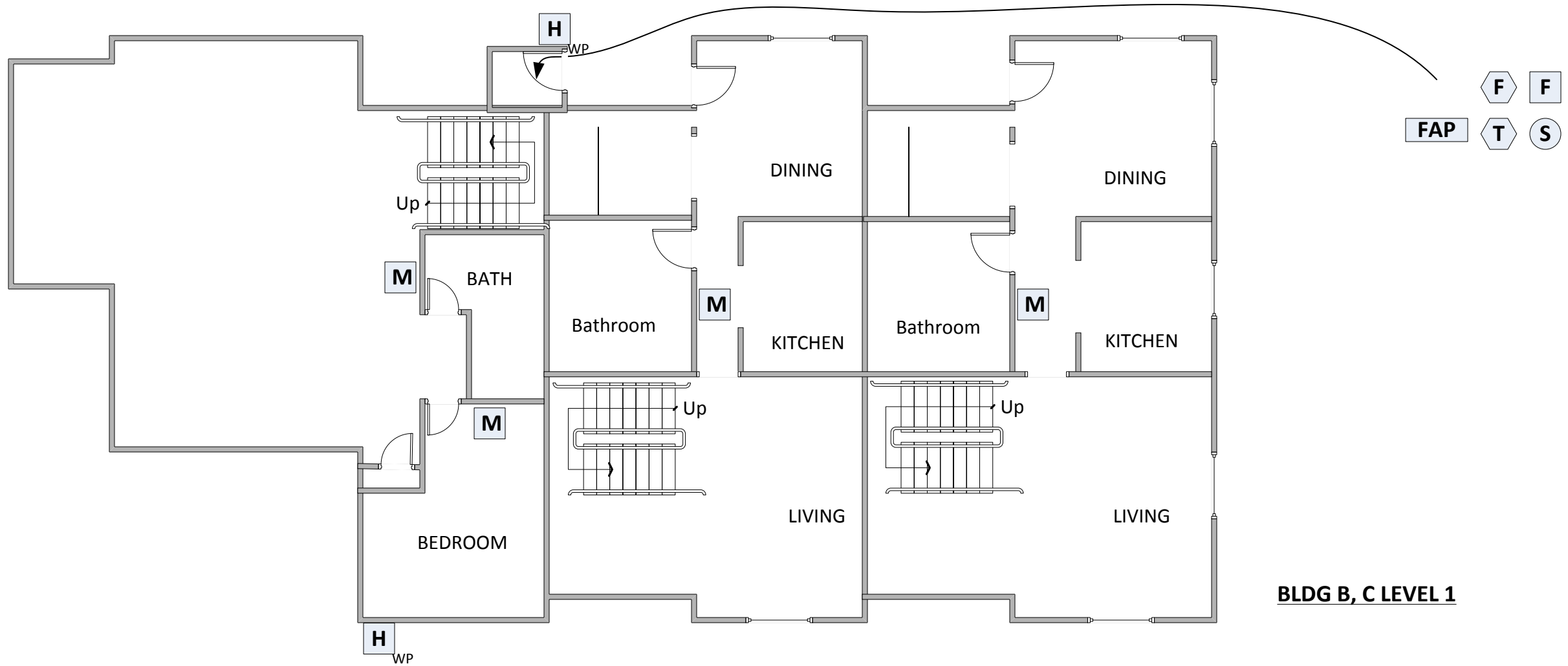
1	FAP	STANDBY	.140	ALARM	.160
1	SMOKE		.0005		.130
1	HORN-STROBE 75				.176
14	MINI-HORN	.017 each			.240
TOTAL		STANDBY	.1405	ALARM	.710
				3.37A	
					.060
					3.43A
					4.12
					7.2 aH

BATTERY CALCULATION – PER BUILDING

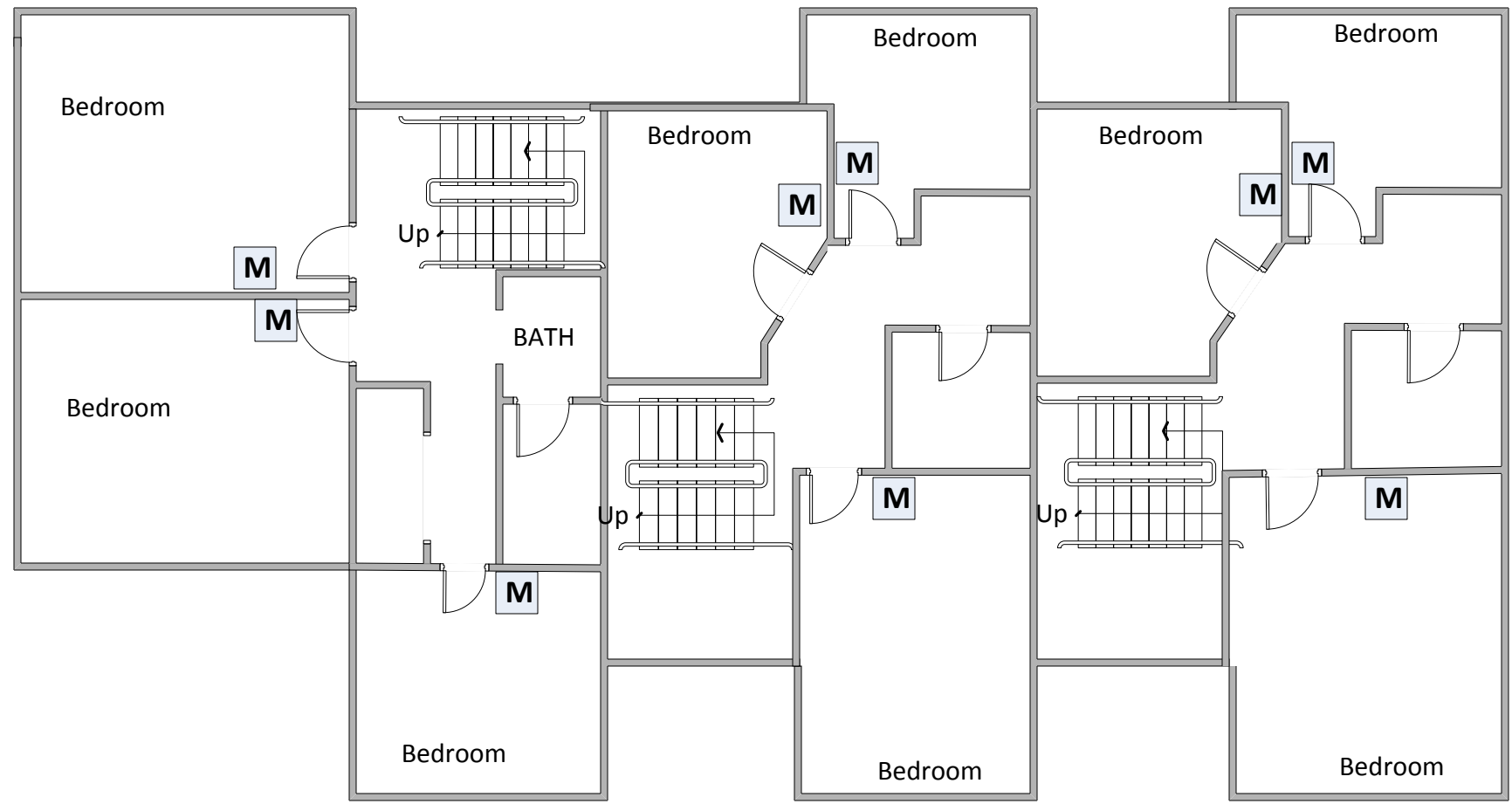
	SEATTLE HOUSING AUTHORITY			
	1105 EAST FIR STREET SEATTLE, WA 98122 BUILDINGS B,C,D			
PO BOX 3559 ARLINGTON, WA 98223 360.652.1088 OLYMPSC012QP	SIZE	FSCM NO	DWG NO	REV
			FIRE ALARM	
	SCALE	1/8" = 1'-0"	6/12/2014 T. BROWN	SHEET 1 OF 3



SEATTLE HOUSING AUTHORITY 1105 EAST FIR STREET SEATTLE, WA 98122 BUILDINGS B,C,D		REV	2 OF 3
		DWG NO	FIRE ALARM
		SIZE	1/8" = 1'-0"
		FSCM NO	6/12/2014 T. BROWN
PO BOX 3559 ARLINGTON, WA 98223 360.652.1088 OLYMPSC012QP		SCALE	



BLDG B, C LEVEL 1



BLDG B,C,D LEVEL 2

SEATTLE HOUSING AUTHORITY 1105 EAST FIR STREET SEATTLE, WA 98122 BUILDINGS B,C,D		REV	3 OF 3
		DWG NO	FIRE ALARM
SIZE	FSCM NO	6/12/2014 T. BROWN	
SCALE	1/8" = 1'-0"	SHEET	3 OF 3
		PO BOX 3559	
		ARLINGTON, WA 98223	
		360.652.1088	
		OLYMPSC012QP	